

# MAXISPREAD

## THE ULTIMATE BULK SPREADER



Pictured (left to right): The Landaco Maxispread TS4500, TS6000, TS8000, TS10000 and TS12000.  
Also available in the Maxispread range: The TS14000, TS16000 and TS25000.



**LANDACO**  
EQUIPMENT

# WITH THE LANDACO MAXISPREAD YOU CAN SPREAD WHAT YOU WANT - WHERE YOU WANT - WHEN YOU WANT...



## **The Landaco Maxispread has unique features and benefits that sets it apart from other spreaders on the market.**

By improving on traditional spreader designs, Landaco Equipment has established itself as a market leader in terms of quality, strength, versatility and ease of operation.

Offering notable advantages over other spreaders on the market, the Landaco Maxispread has been specially designed to suit all applications, from the smallest to the largest.

## **The Landaco Maxispread is designed for maximum versatility.**

With the Landaco Maxispread, you can deliver your choice of material exactly where you want it, from 20kg per hectare to 25,000kg per hectare and spread patterns from 3 metres wide to 30 metres wide and above.

The Maxispread will effectively convey and spread products including lime, super, urea, gypsum, seeds, dolomite, map, dap, cotton trash, crusher dust, chicken litter, pig and cow manure.

Maxispread models range from 4.5 tonne to 25 tonne, with specific options available for all facets of farming from broadacre spreading to row crop spreading, golf courses, macadamia farming, vineyards, row cropping, dairy etc.

## **The Landaco Maxispread offers reliability and economies of operation.**

Farmers and contractors around Australia have demonstrated the reliability of the Landaco Maxispread bulk spreader over the past 20 years.

Economy is achieved from speed of operation and accuracy of spreading. High accuracy reduces the need for overlap to a bare minimum, in many cases resulting in substantial financial savings.

### **Benefits:**

- **Ideal for a broad range of materials**
- **Wide spread pattern**
- **Low maintenance**
- **Easy to operate**
- **Landaco quick-set calibration software**
- **Dual purpose as a field bin/chaser bin**
- **Stability in the field with good ground clearance**
- **Comprehensive product range**
- **Multiple options available**
- **24 month (2 year) warranty**
- **Manufactured in Australia**

# YOU WILL ACHIEVE CONTINUAL PROFESSIONAL RESULTS WITH YOUR EASY-TO-USE LANDACO MAXISPREAD.



## All Landaco Maxispread bulk spreaders feature:

- **Twin Spinners:** Large 700mm spinners give the widest, most consistent spreading width possible. Spreads urea with exceptional accuracy.
- **Adjustable Spreading Deck:** Allows you to vary the spread pattern to suit your requirements.
- **Conveyor:** Top quality 800mm wide endless belt.
- **Conveyor Band Design:** Endless belt system with enhanced drive contact, preferred by contractors.
- **Conveyor Drive:** Fully enclosed heavy-duty duplex reduction.
- **Rear Door:** Full width 800mm x 400mm, graduated in 1mm increments for greater control and higher outputs.
- **Chassis:** Robust folded section chassis for stability and long working life.
- **Drive Roller:** Large diameter and crowned, with self-cleaning mechanism.
- **Removable Spinner Deck/Spinner Assembly:** Allows controlled dumping, trail laying and the attachment of additional equipment such as augers and side-banding conveyors.

## The Landaco Maxispread features an 800mm wide conveyor band, which eliminates the bridging of materials.

Our proven positive belt drive system has no chains or moving parts exposed to the elements. The mechanical drive system is sealed, grease packed and enclosed to keep it clean and operational.

## The Maxispread has heavy-duty twin 700mm diameter hydraulic spinners with high efficiency casting vanes as standard.

This allows for the fullest and most even spreading possible.

The spinner assembly is easily detachable, which allows the spreader to be used for feeding grain, laying gravel on roads, distributing material in rows or simply shifting material from A to B.

With the spinner assembly removed the spreader can be readily fitted with optional grain augers, feeding chutes, side delivery conveyors or direct drop lime applicators.

## Purchasing a Landaco Maxispread equals peace of mind.

Landaco offers expert advice backed up with years of experience, so customers are assured of being delivered the most suitable spreader for their individual requirements.

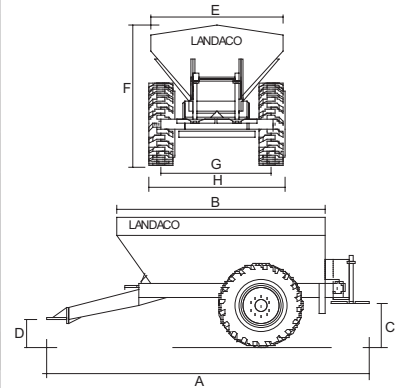
Your investment is protected with a 24 month (2 year) warranty.

**The Landaco Maxispread is available through selected dealers around Australia. Visit [www.landaco.com.au](http://www.landaco.com.au) or call us direct on 1800 358 600 for details.**





### MAXISPREAD RANGE

mm	TS4500	TS6000	TS8000	TS10000	TS12000	TS14000	TS16000	TS25000
<b>Tonnes</b>	4.5	6.0	8.0	10.0	12.0	14.0	16.0	25.0
<b>m3</b>	3.8	5.2	6.5	7.8	8.2	10.00	12.0	20.0
<b>A</b>	4400	4900	5400	5400	6500	6500	7160	7160
<b>B</b>	2450	2920	3400	3400	4270	4270	4980	4980
<b>C</b>	650	650	840	840	840	840	840	900
<b>D</b>	450	450	540	540	540	540	540	615
<b>E</b>	1970	2400	2400	2400	2400	2400	2400	3000
<b>F</b>	2030	2450	2450	2550	2550	2725	3025	3200
<b>G</b>	2000	2000	2000	2100	2200	2200	2200	2400
<b>H</b>	2440	2440	2450	2800	2900	2900	2900	3100
<b>Axle</b>	S/axle	S/axle	S/axle	S/axle	S/axle	Tandem	Tandem	Tandem
<b>Tandem</b>	-	-	Optional	Optional	Optional	Standard	Standard	Standard



All dimensions are accurate at time of publication.  
We reserve the right to change without prior notice.

OPTIONS AVAILABLE:	TS4500	TS6000	TS8000	TS10000	TS12000	TS14000	TS16000	TS25000
 Bin Extension - Bolt On	✓	✓	✓	✓	✓	✓	X	X
 Roll Over Tarpaulin	✓	✓	✓	✓	✓	✓	✓	✓
 Hydraulic Overdrive	✓	✓	✓	✓	✓	✓	✓	✓
 Auto-Hydraulic Rear Door	✓	✓	✓	✓	✓	✓	✓	✓
 Seed & Trace Element Dispenser	✓	✓	✓	✓	✓	✓	✓	✓
 Weight Scales	✓	✓	✓	✓	✓	✓	✓	✓
 Monitors & Controllers	✓	✓	✓	✓	✓	✓	✓	✓
 Suspension - Tandem-Sprung Load Sharing Suspension	X	X	✓	✓	✓	✓	✓	✓
 Steering - Tandem Rocker-Beam Steering Axle	X	X	X	X	✓	✓	✓	✓
 Flotation Tyres	✓	✓	✓	✓	✓	✓	✓	✓
 Auger	✓	✓	✓	✓	✓	✓	✓	✓



MAXISPREAD TS4500

MAXISPREAD TS6000

MAXISPREAD TS8000

MAXISPREAD TS12000

MAXISPREAD TS25000