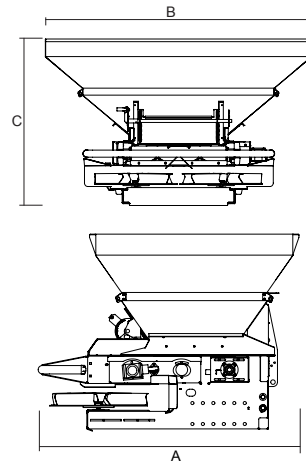


# AGRISPREAD LINKAGE MODELS

Agrispread Linkage	LS1500	LS2000	LS3000
Hopper Capacity Kg's	1500	2000	3000
Hopper Capacity Ltr	1250	1800	2800
Length (mm) - A	1800	1900	1820
Width (mm) - B	1800	2260	2700
Height (mm) - C	1400	1430	1650
Fill Opening LxW (mm)	1100x1630	1350x2200	1500x2600
<b>Working Spread Widths</b>			
Std 700mm MPS	6-34	6-34	6-34
Max. Spinner Speed	950rpm	950rpm	950rpm
Linkage Category	I & II	II	II



All dimensions are accurate at time of publication.  
We reserve the right to change without prior notice.

OPTIONS	LS1500	LS2000	LS3000
Bin Extension Kits	X	✓	✓
Flip-Tarp Hopper Covers	X	✓	✓
Hydraulic-Electronic Control - Conveyor & Spinners	X	✓	✓
Variable Rate & Touch Screen Controllers	X	✓	✓
Weight Scales	X	✓	✓
Auto-Hydraulic Rear Door	X	✓	✓
Integrated Seed & Trace Element Dispenser	X	✓	✓
Drip - Line Spreading Attachment	✓	✓	✓
Folding Access Ladders	X	✓	✓
Stainless Steel Components	X	✓	✓
Side-Banding Attachment	X	✓	✓
Extended Pickup Points	X	✓	✓
Trailing & Ute Mount Kits	X	✓	✓
Tail Lights & Night Work Lights	✓	✓	✓